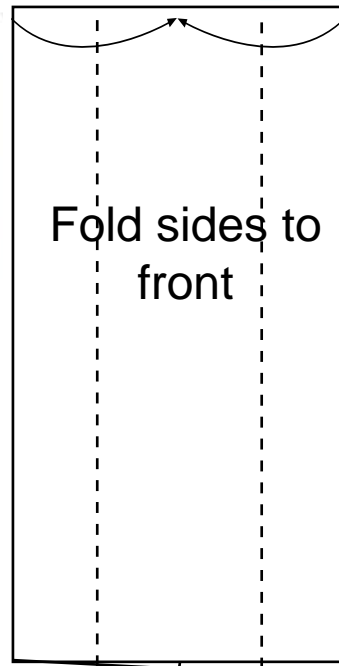
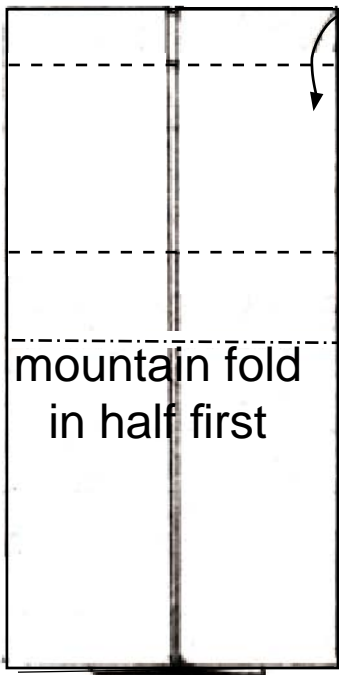


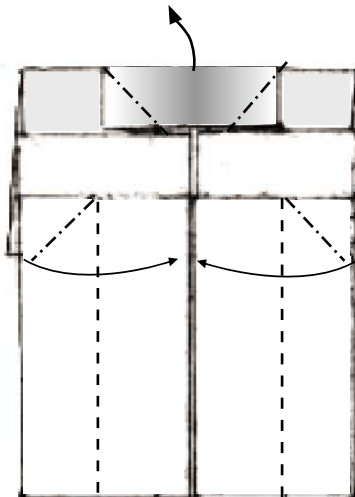
1



2

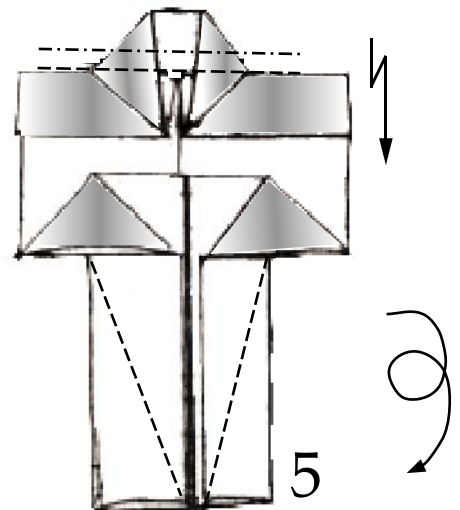


3



4

pull up top layer only to make collar, fold sides in creating triangles in pleat



5

vary proportions as desired - experiment!



# Kimono

Designer Yamaguchi  
Diagram by Clare

To print out Japanese paper, try  
[bj.canon.co.jp/english/3D-papercraft/](http://bj.canon.co.jp/english/3D-papercraft/)  
[bj.canon.co.jp/japan/papercraft/](http://bj.canon.co.jp/japan/papercraft/)